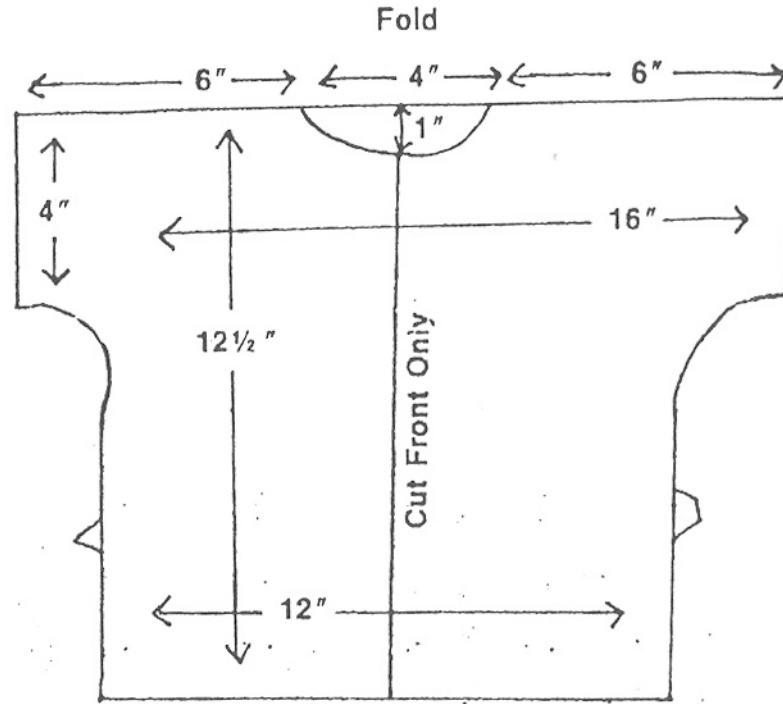


Baby Gown Directions

1. Use flannel, cotton, or cotton blend—any color or print.
2. May be short with one set of ties or longer with two sets of ties. (Short gowns are preferred.)
3. Do not make larger: overseas babies are much smaller than U.S.A. babies.



4. On fold of material, cut measurements as shown above.
5. Unfold. Hem sleeves first—fold $\frac{1}{4}$ " from bottom of sleeve and then fold over $\frac{1}{4}$ " again and stitch. Or bias tape binding can be used.
6. With right sides together, match notches and sew side seams.
7. Cut one side for front opening.
8. Hem bottom edge and front opening, or use bias seam binding.
9. Sew narrow bias tape around neck leaving ends sufficient for tying (approximately 6").

2 yd bias tape needed.

